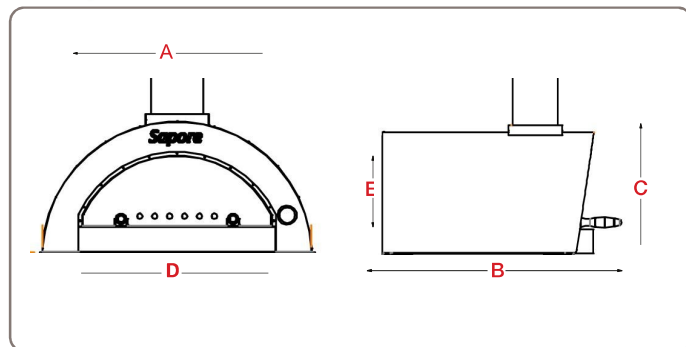




TECHNICAL DETAILS

Peso / Weight	82 kg 94 kg w/s
Minuti per scaldare / Heating time	40 min.
N° pizze alla volta / Pizza capacity	2
Combustibile consigliato / Recommended fuel	Logs, Briquettes
Consumo medio / Average fuel consumption	1.5 kg/h
Temperatura massima / Max oven temperature	430 C / 800 F

MISURE / DIMENSIONS WITHOUT STAND - CODE: OGGI80



A	Larghezza totale / Total width	80,0 cm
B	Lunghezza totale / Total length	67,5 cm
C	Altezza totale / Total height	42,0 cm
D	Larghezza bocca / Oven mouth width	46,0 cm
E	Altezza bocca / Oven mouth height	21,0 cm
F	Diametro interno / Inside diameter	60 x 50 cm

MISURE / DIMENSIONS WITH STAND - CODE: OGGIST80

