



WOOD OVENS

More than just pizza!

oggi 80 wood oven

Outdoor wood oven,
ideal for all outdoor
spaces.

Oggi Ø80cm now
available in Copper
Brown.

Can be purchased
with or without
portable stand.

BAKE • ROAST • GRILL

Perfect for cooking
pizza, bread, roasts,
and much more...
*only limited to your
imagination!*



call us on 1300 13 64 67

www.saporewoodovens.com.au

oggi Ø80cm specs


SAPORE
WOOD OVENS

More than just pizza!

Available in
Copper Brown.

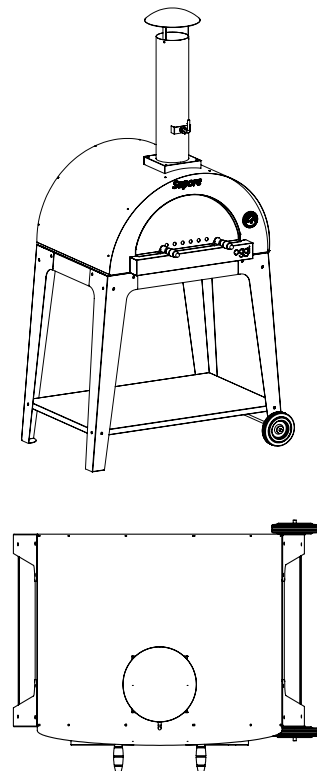
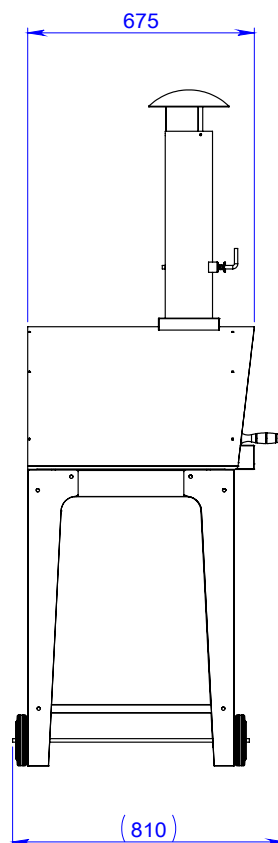
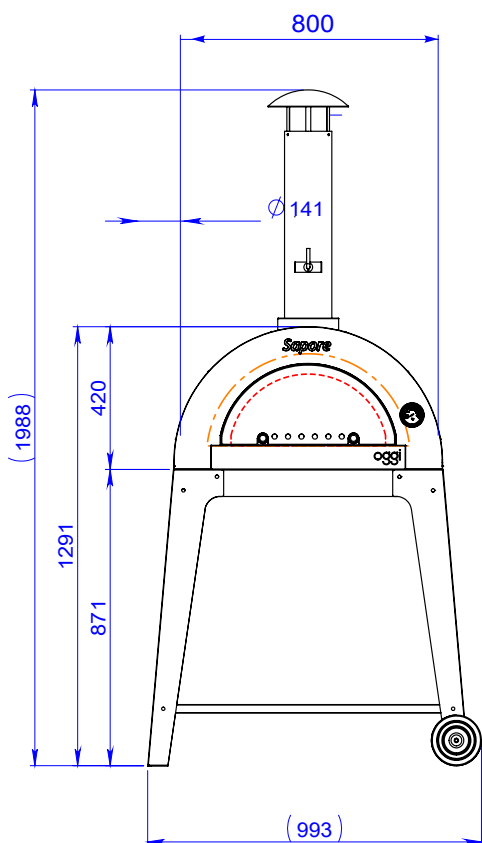
Portable stand can be purchased separately.

- 20min to heat up
- 2 pizza capacity (60 x 50cm internal)
- 90sec to 2min pizza cooking time
- Adjustable flue damper
- Fully insulated dome and hearth
- Durable stainless steel dome
- 304 grade stainless steel
- Clay brick hearth



*No curing process,
ready to cook right away!*

oggi



measurements in mm